



GLOBAL
INDUCTION
LIGHTING US



Global Induction Lighting US

917 SE 14th St, Fort Lauderdale, FL 33316

info@gilus.us • 954-467-8478 • www.gilus.us

EXTERIOR LIGHTING

Architectural/Coach Lighting



IP RATING
44



GLZT17 55/85

Features:

- ♦ Die cast aluminum ballast casing with powder coated finish for corrosion-resistance.
- ♦ Acrylic lens with good transparency, glare free .
- ♦ High quality heat resistant with gas -tight silicone rubber sealing.
- ♦ Lamps and ballasts:

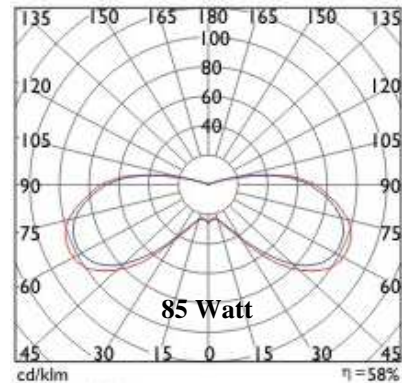
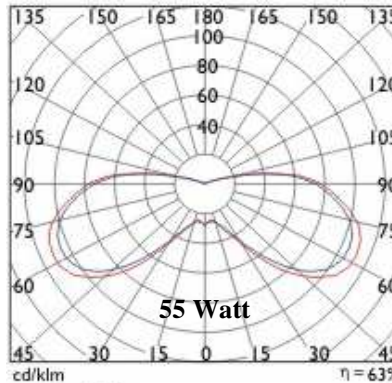
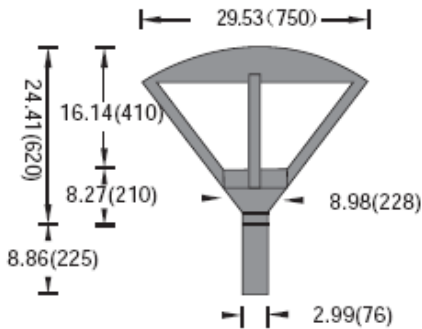
Lamp and Ballast:

- ♦ Globals 55W or 85W induction lamp features high lighting efficiency.
- ♦ Note: Total energy consumption=fixture wattage+5% for ballast overhead.
- ♦ Estimated lifespan 60,000 hours
- ♦ Electronic ballast features high power factor (>0.95), flicker free, instant on/instant re-strike.
- ♦ Engineered to operate efficiently at +130F to -40 F.
- ♦ Applications: Parks, shopping malls, outlets, plazas, city halls, historic areas, gardens etc.

POST TOP LIGHTING

DIMENSIONS

PHOTOMETRICS



GLZT17 55/85

FIXTURE SPECIFICATIONS

Global Code	Type	Lamp	Voltage	Color Temp.#	Notes:
GLZT17 55/85	Architectural/Coach	55/85 Watts	120~277	5,000K #Color temperatures of 4100K or 6,500K available by special order	Ball Type Lamp with Ballast