



**GLOBAL  
INDUCTION  
LIGHTING US**



**Global Induction Lighting US**

917 SE 14th St, Fort Lauderdale, FL 33316

info@gilus.us • 954-467-8478 • www.gilus.us

EXTERIOR LIGHTING

## Architectural/Coach Lighting



IP RATING  
**20**



**GLZT13 55/85**

### Features

- ♦ Die cast aluminum housing with powder coated finish for corrosion-resistance.
- ♦ Heat resistant UV stabilized acrylic hood.
- ♦ Intelligent photocell control.
- ♦ Globe style lamp with slim ballast that fits down into pole.

### Lamp and Ballast

- ♦ Globals induction lamps feature high lighting efficiency.
- ♦ Note: Total energy consumption=fixture wattage+5% for ballast overhead.
- ♦ Estimated lifespan 60,000 hours.
- ♦ Globe style 55 or 85 watt lamps with slim ballast that fits down into pole.
- ♦ Electronic ballast features high power factor (>0.95), flicker free, instant on/instant re-strike.
- ♦ Low harmonic distortion THD<10%.
- ♦ Engineered to operate efficiently at +130F to -40 F.

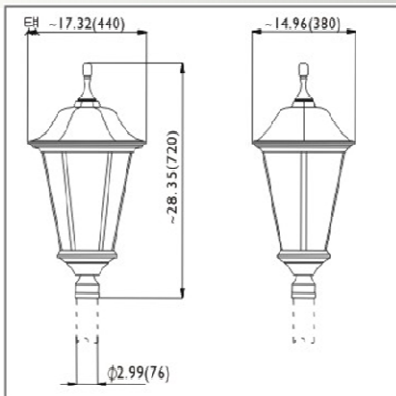
### Applications

- ♦ Post top decorative lighting, sidewalks, beside doorways.

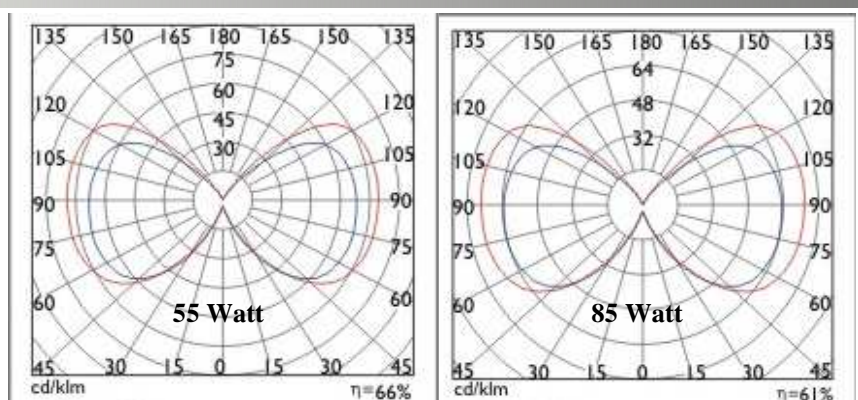
POST TOP LIGHTING



### DIMENSIONS



### PHOTOMETRICS



GLZT13-55/85



### FIXTURE SPECIFICATIONS

Global Code	Type	Lamp	Voltage	Color Temp.#	Note
GLZT13 55/85	Architectural/Coach	55/85	120~277	5,000K	N/A
					#Color temperatures of 4100K or 6,500K available by special order