



GLOBAL
INDUCTION
LIGHTING US



Global Induction Lighting US
917 SE 14th St, Fort Lauderdale, FL 33316
info@gilus.us • 954-467-8478 • www.gilus.us

INTERIOR LIGHTING



Lowbay Lighting

Project: _____

Part No: _____

Quantity: _____

IP RATING
43



GLLB-100/120/150/200

Features

- ♦ Die cast aluminum ballast casing with white powder coated finish for corrosion-resistance.
- ♦ High purity aluminum reflector with vacuum coated inner surface.
- ♦ Comes with UV stabilized acrylic lens with clamp-band.
- ♦ Includes 5 feet of cabtyre (cord) with strain relief clamp.

Lamp and Ballast

- ♦ Globals 100W-200W round tubular induction lamp features high lighting efficiency.
- ♦ Note: Total energy consumption=fixture wattage+5% for ballast overhead.
- ♦ Estimated lifespan 100,000 hours.
- ♦ Electronic ballast features high power factor (>0.95), flicker free, instant on/instant re-strike.
- ♦ Ambient temperature for lighting fixture:-40C~+40C.

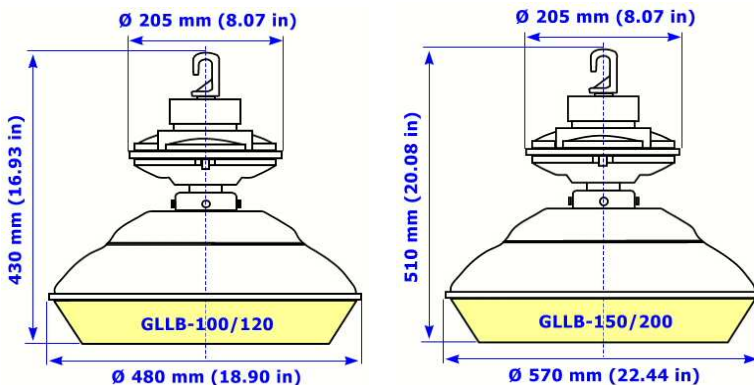
Applications

- ♦ Stadiums, Workshops, warehouses, airports, stations, amusement parks, retail showrooms, exhibition halls, supermarkets.

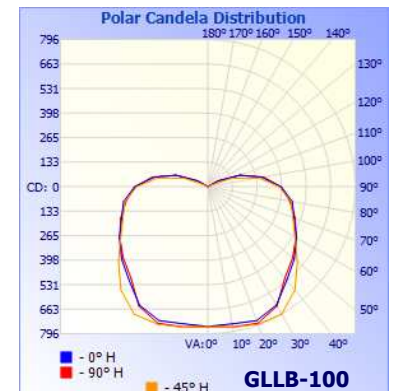
LOWBAY



DIMENSIONS



PHOTOMETRICS



GLLB - 100/120/150/200



FIXTURE SPECIFICATIONS

Global Code	Type	Lamp	Voltage	Colour Temp.#	Note
GLLB-100/120	Lowbay	100/120 - Round	120~277	6,500K	UV Stabilized Acrylic Lens
GLLB-150/200		150/200 - Round			